

Datasheet

Subject to technical alteration

Issue date: 14.08.2020 • A110 • 727488



Illustration similar

» APPLICATION

The ceiling motion detector detects the movement of persons indoors and can switch light as required or also provide a temperature reduction in unused rooms. The installation is inconspicuous in false ceilings because of the small design. There are 3 types available with different detection ranges.

» TYPES AVAILABLE

Ceiling sensor motion – active relay

RDI Standard
RDI Small Range
RDI Spot

» SECURITY ADVICE – CAUTION



The installation and assembly of electrical equipment should only be performed by authorized personnel.

The product should only be used for the intended application. Unauthorised modifications are prohibited! The product must not be used in relation with any equipment that in case of a failure may threaten, directly or indirectly, human health or life or result in danger to human beings, animals or assets. Ensure all power is disconnected before installing. Do not connect to live/operating equipment.

Please comply with

- Local laws, health & safety regulations, technical standards and regulations
- Condition of the device at the time of installation, to ensure safe installation
- This data sheet and installation manual

» NOTES ON DISPOSAL

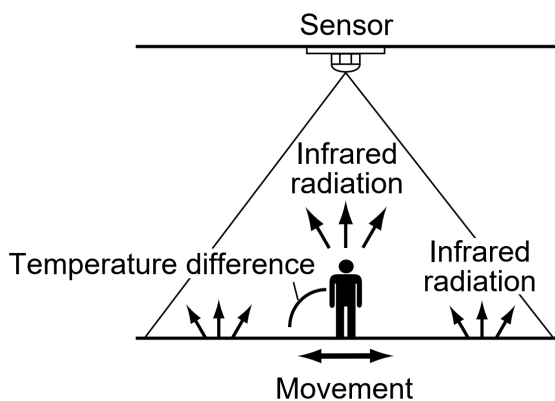


As a component of a large-scale fixed installation, Thermokon products are intended to be used permanently as part of a building or a structure at a pre-defined and dedicated location, hence the Waste Electrical and Electronic Act (WEEE) is not applicable. However, most of the products may contain valuable materials that should be recycled and not disposed of as domestic waste. Please note the relevant regulations for local disposal.

» TECHNICAL DATA

General

Measuring values	Motion
Output switching contact	floating contact NO for 24 V, load max. 1 A (resistive), with follow-up time 8 seconds
Power supply	15..24 V = (±10%) or 24 V ~ (±10%) SELV
Power consumption	typ. 0,5 W (24 V =) 1,1 VA (24 V ~)
Sensor	PIR (passiv infrarot)
Enclosure	ABS, pure white
Protection	IP20 according to DIN EN 60529
Cable entry	rear entry, breaking points bottom, drill mark top
Connection electrical	terminal block, max. 1,5 mm ² , connection wire PVC (2x0,25 mm ²), length=10 cm
Ambient condition	-20..+50 °C, max. 85% non-condensing

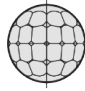


Remark: After having switched-on the operating voltage, the switch output is switched-on for approx. 30sec. in the stabilisation status of the sensor.

The specified ranges refer to average conditions at a certain installation height and are therefore to be regarded as guide values. The range can vary considerably with changing temperature conditions. The necessary temperature difference between the detectable object and the environment should be at least 4 °C. The speed of the object should be at least 0.3 to 1.0 m/s. The motion detector should not be mounted near disturbing heat sources (e.g. lamps, radiators, fans etc.) to avoid false alarms. The object to be detected must have a minimum size of 700x250 mm.

This sensor detects changes in infrared radiation that occur when a person (or object) whose temperature differs from that of the environment moves.

RDI Standard

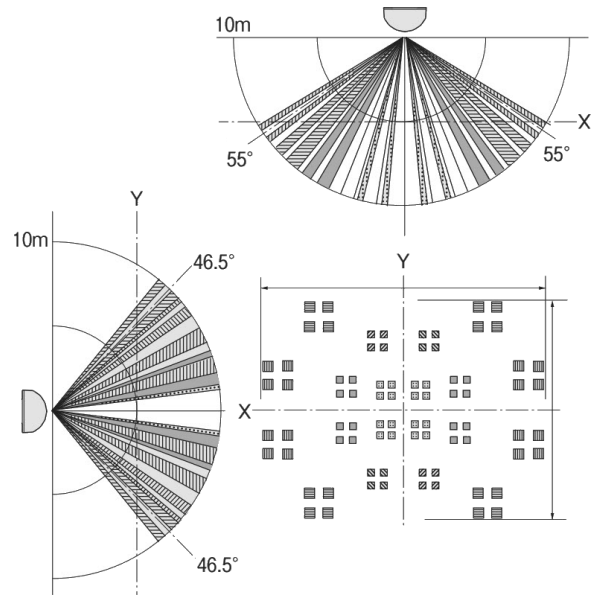
Detection range	
Detection distance	max. 10 m
Field of view horizontal x	110°
Field of View vertical y	93°
Detection zone	80

A installation height of 2,5 m results in a detection area of approx. 7,1x5,3 m, divided into 80 measuring zones.

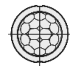
Formula:

$\tan (55) * \text{installation height} = \text{radius detection range } x$

$\tan (46.5) * \text{installation height} = \text{radius detection range } y$



RDI Small Range

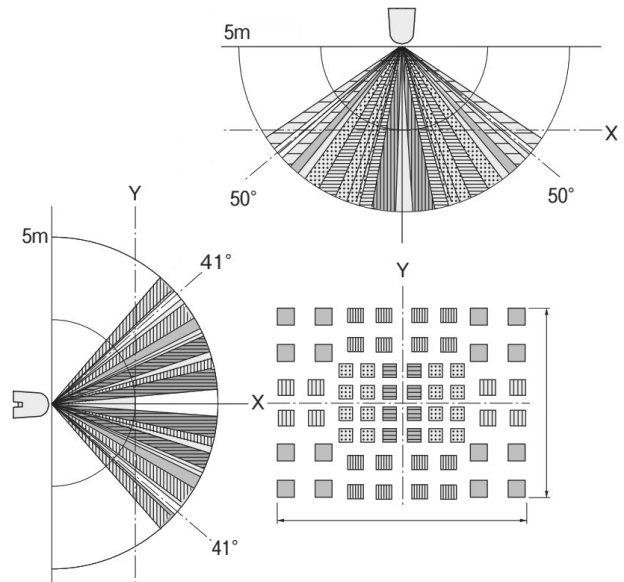
Detection range	
Detection distance	max. 5 m
Field of view horizontal x	100°
Field of View vertical y	82°
Detection zone	64

A installation height of 2,5 m results in a detection area of approx. 6x4,3 m, divided into 64 measuring zones.


Formula:

$\tan (50) * \text{installation height} = \text{radius detection range } x$

$\tan (41) * \text{installation height} = \text{radius detection range } y$



RDI Spot

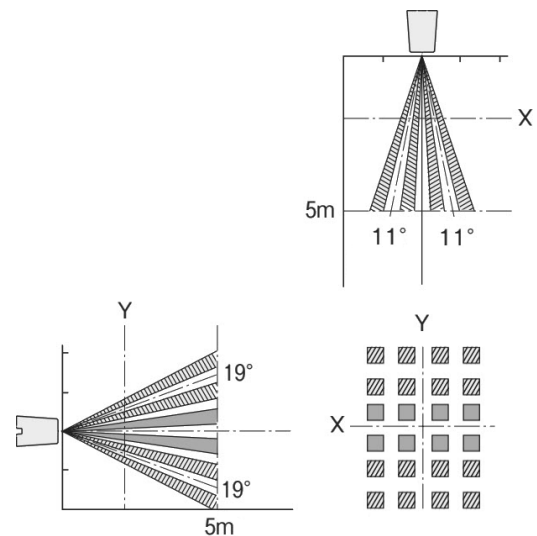
Detection range	
Detection distance	max. 5 m
Field of view horizontal x	22°
Field of View vertical y	38°
Detection zone	24

A installation height of 2,5 m results in a detection area of approx. 1x1,7 m, divided into 24 measuring zones.

Formula:

$\tan (19) * \text{installation height} = \text{radius detection range } y$

$\tan (11) * \text{installation height} = \text{radius detection range } x$



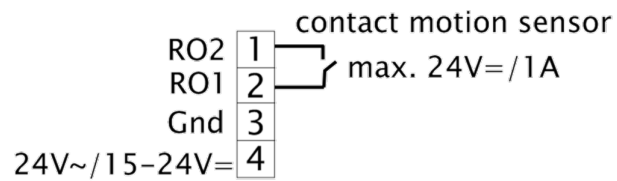
» PRODUCT TESTING AND CERTIFICATION



Declaration of conformity

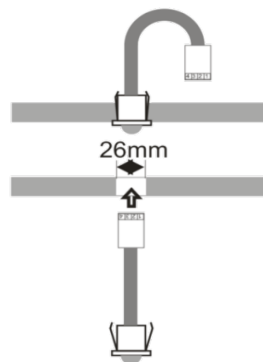
The declaration of conformity of the products can be found on our website <https://www.thermokon.de/>.

» CONNECTION PLAN

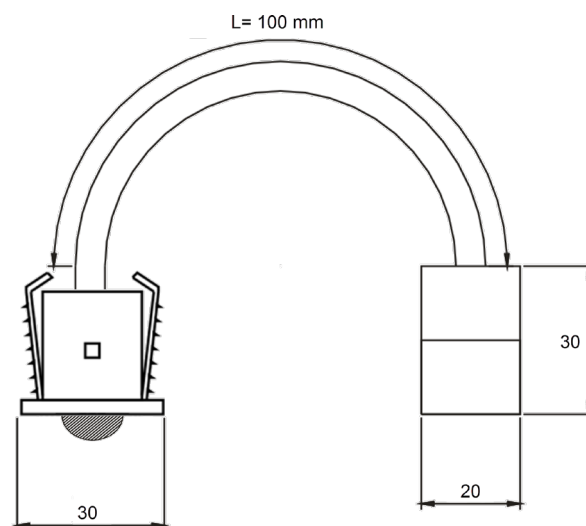


» MOUNTING ADVICES

Please make sure that the device is de-energized if you want to install it!



» DIMENSIONS (MM)



» ACCESSORIES (OPTIONAL)

Rawplugs and screws (2 pcs. each)

Item No.: 102209