

# WRF06 LCD (rH) RS485 Modbus

Multifunction room operating panel

**thermokon**<sup>®</sup>  
HOME OF SENSOR TECHNOLOGY

## Datasheet

Subject to technical alteration  
Issue date: 28.09.2022 · A120

Fits all 55x55 switch  
ranges

Available in  
▪ pure white brilliant  
▪ pure white matt  
▪ aluminium  
▪ anthracite



## » APPLICATION

The flush-mounted room controller with setpoint adjustment and occupancy button is used for individual temperature control in living, hotel and office rooms. The device with 4 control buttons and LCD can be integrated into the most common switch ranges, is available in many color versions and is therefore suitable for design-oriented construction projects. Depending on the type continuous, 2-point or 6-way valves for heating or cooling can be controlled. The peelable terminal allows pre-wiring.

## » SECURITY ADVICE – CAUTION

The installation and assembly of electrical equipment should only be performed by authorized personnel.



The product should only be used for the intended application. Unauthorised modifications are prohibited! The product must not be used in relation with any equipment that in case of a failure may threaten, directly or indirectly, human health or life or result in danger to human beings, animals or assets. Ensure all power is disconnected before installing. Do not connect to live/operating equipment.

Please comply with

- Local laws, health & safety regulations, technical standards and regulations
- Condition of the device at the time of installation, to ensure safe installation
- This data sheet and installation manual

## » PRODUCT TESTING AND CERTIFICATION



### Declaration of conformity

The declaration of conformity of the products are available on our website <https://www.thermokon.de/>.

## » NOTES ON DISPOSAL



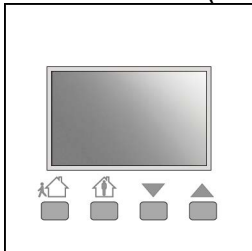
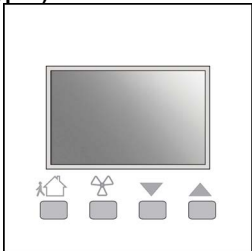
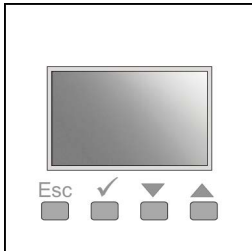
As a component of a large-scale fixed installation, Thermokon products are intended to be used permanently as part of a building or a structure at a pre-defined and dedicated location, hence the Waste Electrical and Electronic Act (WEEE) is not applicable. However, most of the products may contain valuable materials that should be recycled and not disposed of as domestic waste. Please note the relevant regulations for local disposal.

## » TYPES AVAILABLE

### WRF06 LCD (rH) RS485 Modbus

- **Room operating unit temperature, optional with humidity – DI4 RS485 Modbus**  
WRF06 LCD (rH) DI4 (*4 digital inputs*)
- **Room controller temperature, optional with humidity – AO2V RS485 Modbus**  
WRF06 LCD (rH) AO2V (*2x 0..10 V | heating / cooling*)  
WRF06 LCD (rH) AOFV (*2x 0..10 V | Fan / Changeover heating and cooling*)
- **Room controller temperature, optional with humidity – RS485 Modbus with flush mounted-IO module**  
WRF06 LCD (rH) DO2R (*2x 3A relay | heating / cooling*)  
WRF06 LCD (rH) DO2T (*2x 1A triac | heating / cooling*)  
WRF06 LCD (rH) OVR (*1x 3A relay heating | 1x 0.. 10 V cooling*)  
WRF06 LCD (rH) OVT (*1x 1A triac heating | 1x 0..10 V cooling*)

## » PRINTING TYPES

Printing type 1 (available for all device types)	Printing type 2	Bedruckungstyp 3 (only available for DI4/AO2V/AOFV)
		
<ul style="list-style-type: none"> <li>→ Set point adjustment</li> <li>→ Adjustment of room occupancy (occupied / unoccupied)</li> </ul>	<ul style="list-style-type: none"> <li>→ Set point adjustment</li> <li>→ Adjustment of room occupancy (occupied / unoccupied)</li> <li>→ Fan stage adjustment</li> </ul>	<ul style="list-style-type: none"> <li>→ Set point adjustment</li> <li>→ Cancel or confirm setpoint value</li> </ul>

## » MOUNTING ADVISE ROOM SENSORS

The Accuracy of the room sensors are influenced by the technical specifications as well as the positioning and the installation type.

### During Assembly:

- Seal mounting box (if present).
- Installation type, air draught, heat source, radiation heat or direct sunlight can affect the measurement.
- Building material specific properties of the installation place (*brick-, concrete-, partition wall, cavity wall, ...*) can affect the measurement. (*e.g.: Concrete accepts room temperature variation slower than cavity walls*)

### Assembly not recommendet in...

- Air draught (e.g.: close to windows / doors / fans ...)
- Near heating sources,
- Direct sunlight
- Niches / between furniture / ...

## » BUILD-UP OF SELF-HEATING BY ELECTRICAL DISSIPATIVE POWER

Sensors with electronic components always have a dissipative power, which affects the temperature measurement of the ambient air. The dissipation in active temperature sensors shows a linear increase with rising operating voltage. This dissipative power has to be considered when measuring temperature. In case of a fixed operating voltage ( $\pm 0,2$  V) this is normally done by adding or reducing a constant offset value.

Thermokon transducers can be operated with variable operating voltages. The transducers are set at the factory with a reference operating voltage of 24 V =.

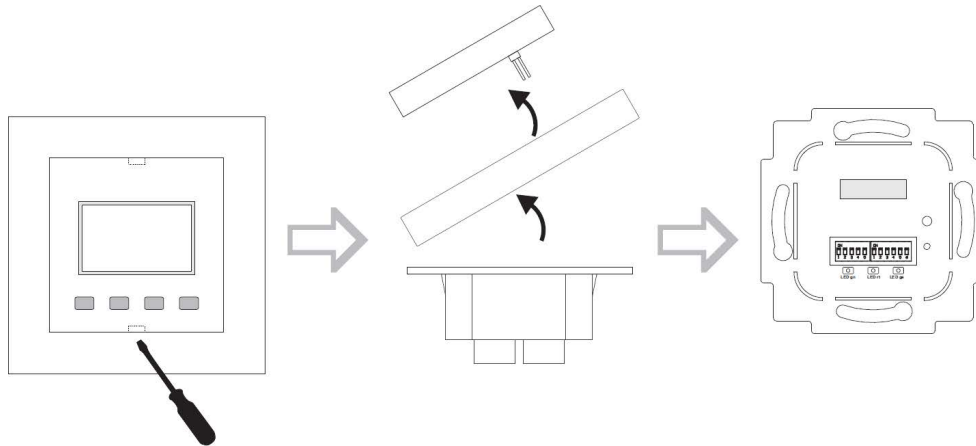
At this voltage, the expected measuring error of the output signal will be the least. Other operating voltages, can cause a measurement deviation changing power loss of the sensor electronics.

A recalibration can be carried out directly on the unit or via a software variable (app or bus).

**Remark: Occurring draught leads to a better carrying-off of dissipative power at the sensor. Thus temporally limited fluctuations might occur upon temperature measurement.**

» **MOUNTING ADVICES**

The device is designed for mounting on a flush-mounted box. The bus cable is connected to the device by a terminal screw. For pre-wiring, the clamping screw can be removed. Due to the space for cabling, the use of deep installation boxes is recommended. The screws of the installation box (maximum torque of the screws 0.8 Nm) can fasten the lower part. The installation must be carried out in representative places for the room temperature, in order to avoid a falsification of the measuring result. Direct sunlight and drafts should be avoided. The end of the installation pipe in the flush-mounted box must be sealed in order to prevent drafts in the pipe. To ensure a smooth and accurate installation, it is essential that the installation boxes used are not jut out from the wall surface. The box must be flush with the wall or slightly recessed in the wall.



» **TYPE OVERVIEW - FUNCTIONALITY**

	Digital Inputs	Internal Controller	0..10 V Heating	0..10 V Cooling	Relay Heating	Relay Cooling	Triac Heating	Triac Cooling	6WV Heating&Cooling
DI4	4								
AO2V	2	•	•	•					•
AOFV	2	•	2-pipe						
OVR	2	•		•	•				
OVT	2	•		•	•				
DO2R	2	•			•	•			
DO2T	2	•					•	•	

» **TECHNICAL DATA**

Measuring values	temperature, rel. humidity (optional)	
Output Voltage <i>(type-dependent)</i>	<b>AO2V</b> 2x 0..10 V, heating & cooling, (min. load 10 kΩ)	
	<b>OVR   OVT</b> 1x 0..10 V cooling, (min. load 10 kΩ)	
Output switching contact <i>(type-dependent)</i>	<b>DO2R</b> 2x floating contact NO for 24 V =/~, load max. 3 A, heating & cooling	
	<b>OVR</b> 1x floating contact NO for 24 V =/~, load max. 3 A, heating	
	<b>OVT</b> 1x floating contact Triac for 24 V ~, load max. 1 A, heating	
	<b>DO2T</b> 2x floating contact Triac for 24 V ~, load max. 1 A, heating & cooling	
Network technology	RS485 Modbus RTU / ASCII, <b>Fail-safe Biasing required</b>	
Power supply	15..24 V = (±10%) or 24 V ~ (±10%) SELV <i>With alternating voltage, the correct polarity must be ensured.<sup>1</sup></i>	
power consumption	typ. 0,9 W (24 V =)   1 VA (24 V ~)	
Measuring range temperature	+32..+122 °F	
Measuring range humidity <i>(optional)</i>	0..100% rH non-condensing	
Accuracy temperature	±0,5 K (typ. at 70 °F)	
Accuracy humidity <i>(optional)</i>	±2% between 10..90% (typ. at 70 °F)	
Inputs <i>(type-dependent)</i>	<b>AO2V   DO2R   OVR   OVT   DO2T</b> 2x inputs digital for floating contacts	<b>DI4</b> 4x inputs digital for floating contacts
Protection	IP30 according to EN 60529	
Connection electrical	terminal block, max. AWG16	
Ambient condition	+32..+122 °C, max. 85% rH non-condensing	
Mounting	flush mounted in standard EU box (Ø=2.36in.   60 mm, min. depth=1.77in.   45 mm), DO2T, DO2R, OVR, OVT with IO extension need 2 flush-mounting boxes (Ø=2.36in.   60 mm) and double frame (alternatively, the IO unit can be mounted in a deep flush-mounted box or be detached up to 10 m)	
Notes	for further variants see chapter room operating units, for other operating elements please request, for other frame designs please request	

**<sup>1</sup>Power supply**

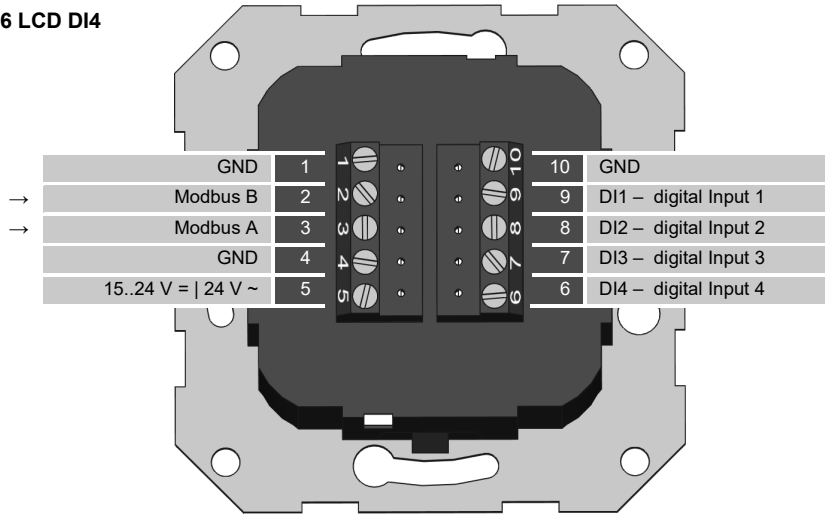
When several BUS devices are supplied by one 24 V AC voltage supply, it is to be ensured that all "positive" operating voltage input terminals (+) of the field devices are connected with each other and all "negative" operating voltage input terminals (-) (=reference potential) are connected together (in-phase connection of field devices).

In case of reversed polarity at one field device, a supply voltage short-circuit would be caused by that device. The consequential short-circuit current flowing through this field may cause damage to it.

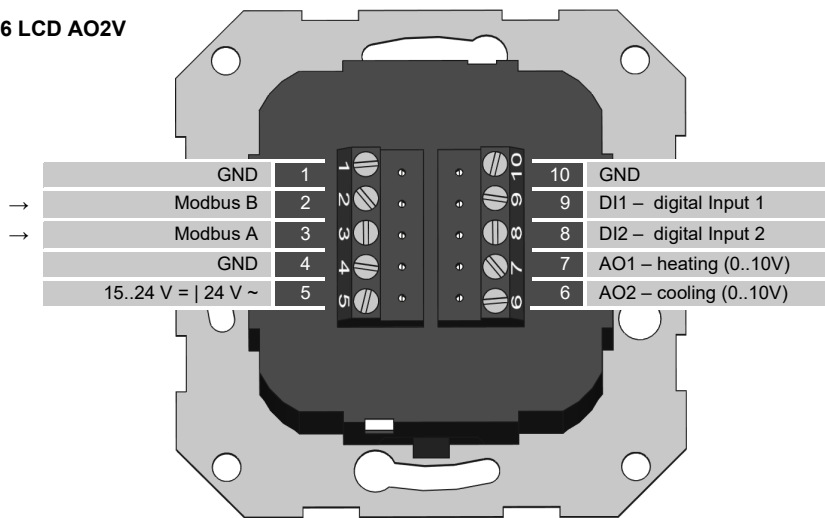
**Therefore, pay attention to correct wiring.**

» CONNECTION PLAN

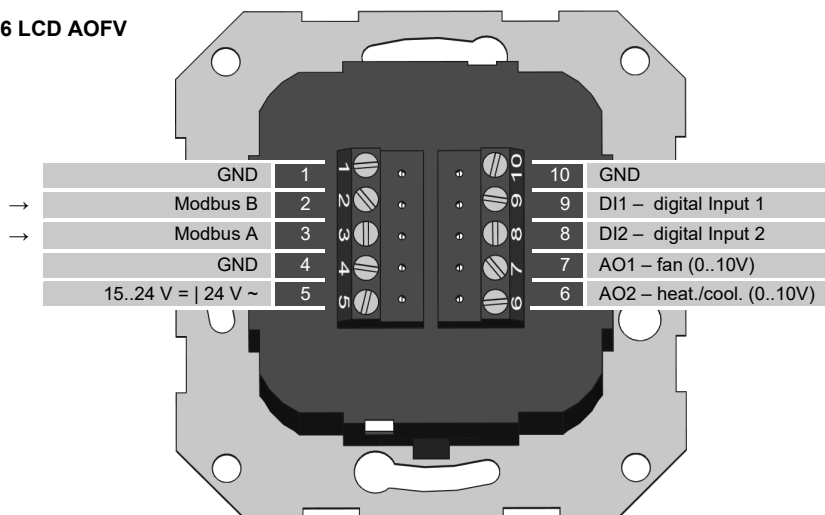
WRF06 LCD DI4



WRF06 LCD AO2V

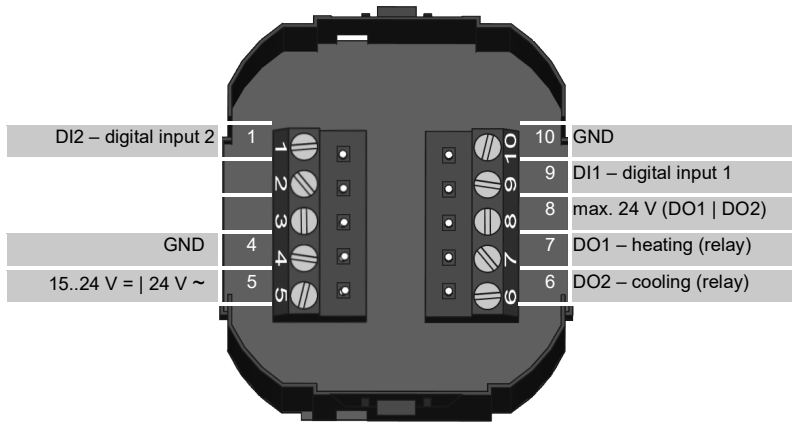
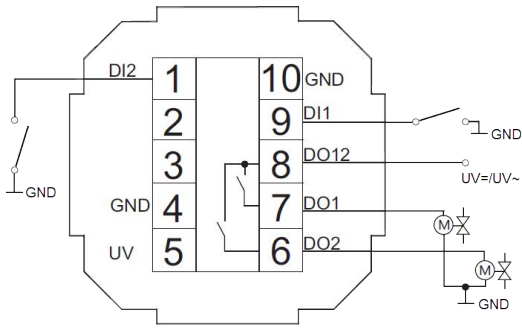


WRF06 LCD AOFV

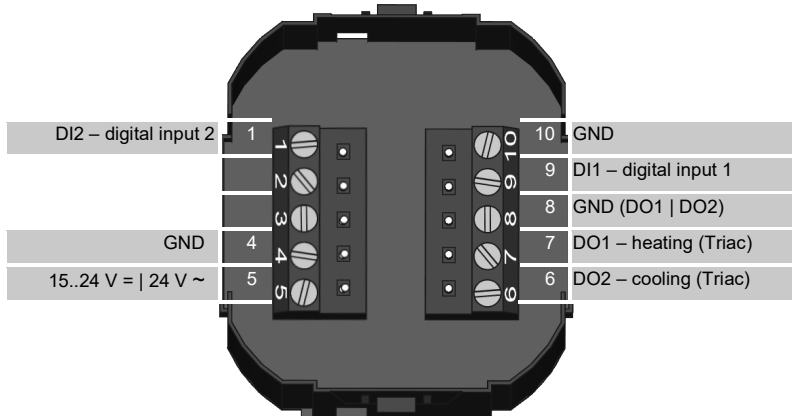
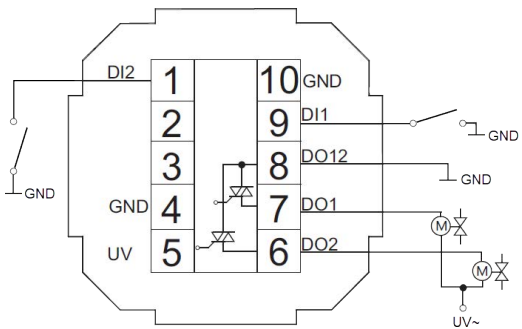


BUS connection type DO2R/DO2T/OVR/OVT → Terminal 2 and 3 on the basic unit.

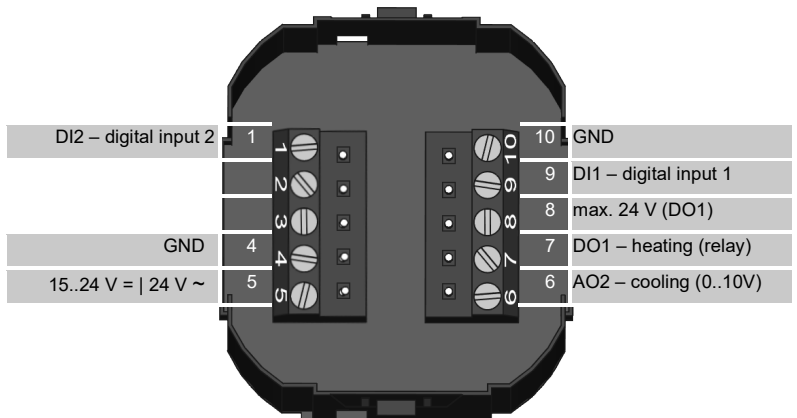
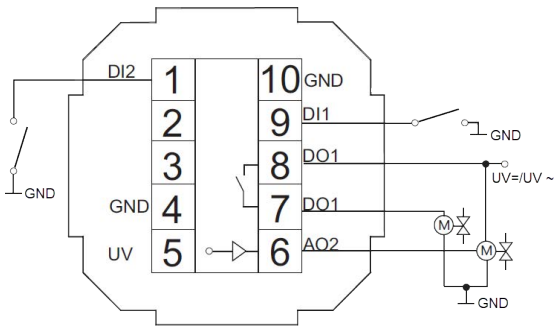
**WRF06 LCD DO2R IO-module**



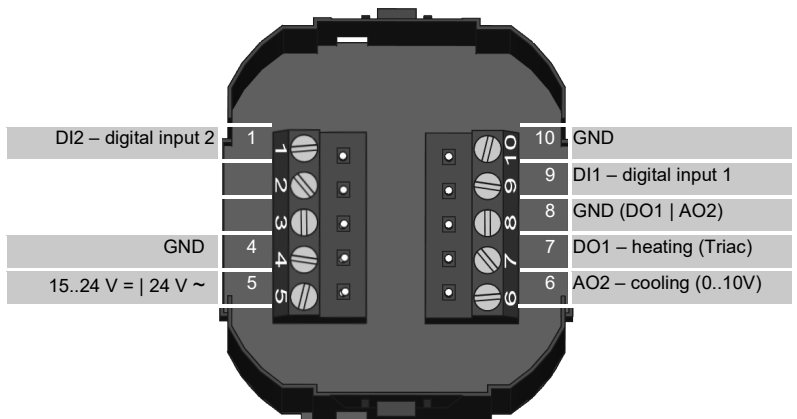
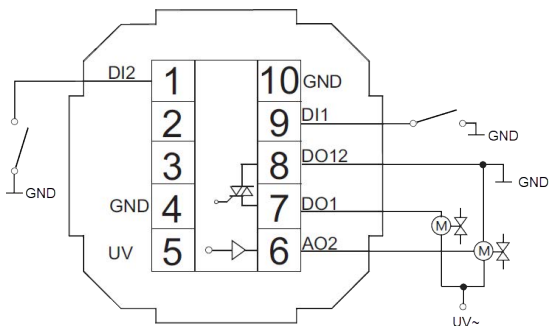
**WRF06 LCD DO2T IO-module**



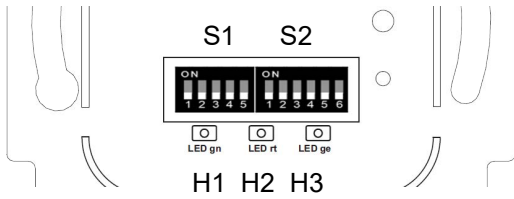
**WRF06 LCD OVR IO-module**



**WRF06 LCD OVT IO-module**



» **DIP SWITCH CONFIGURATION**



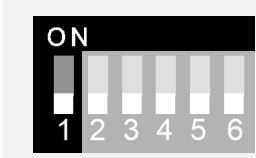
LED	Description
[H1] Green	Lights up permanently during normal operation
[H2] Red	Lights up in case of a corrupt bus configuration and internal errors
[H3] Yellow	Blinks when RS485 Modbus telegrams are received and sent

**[S1] Modbus address - DIP 1..5 (binary coded)**



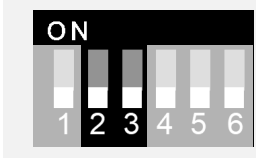
Dip switch	1 = on	2 = on	3 = on	4 = on	5 = on	
Value	2 <sup>0</sup> (1) (factory default)	2 <sup>1</sup> (2)	2 <sup>2</sup> (4)	2 <sup>3</sup> (8)	2 <sup>4</sup> (16)	

**[S2] Mode - DIP 1**



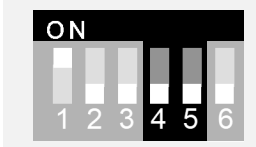
1	Mode
off	RTU (factory default)
on	ASCII

**[S2] Baud rate - DIP 2 and 3**



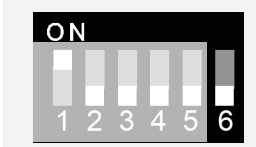
2	3	Baud
off	off	Baud 9600 (factory default)
on	off	Baud 19200
off	on	Baud 57600

**[S2] Parity – DIP 4 and 5**



4	5	Parity
off	off	None – 2-Stopbits
on	off	Even – 1 Stopbit (factory default)
off	on	Odd – 1 Stopbit

**[S2] Termination – DIP 6**



6	Termination 120 Ohm
off	Inactive (factory default)
on	Active

## » CONFIGURATION SOFTWARE AND PROTOCOL DESCRIPTION



### Modbus addresses:

RS485 Modbus Interface

A detailed description of the Modbus addresses can be found under the following link: [Download](#)

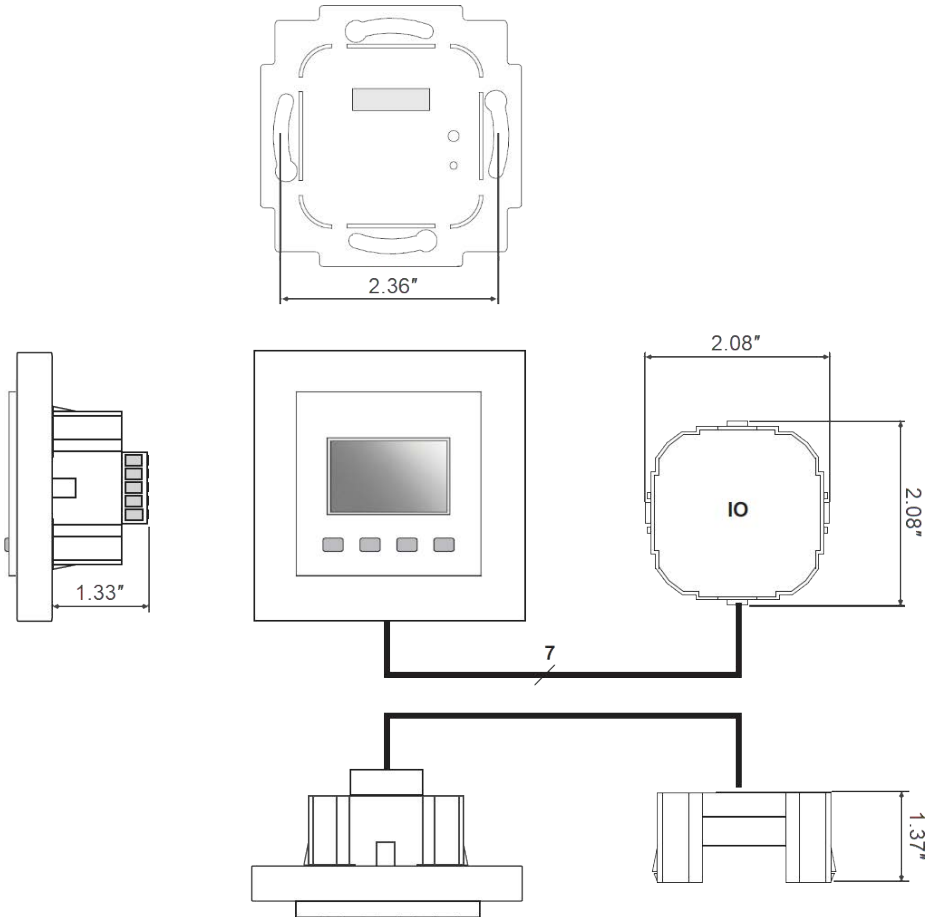


### Configuration software:

WRF06-RS485 Modbus Link: → [Download](#)

## » DIMENSIONS (IN)

Outside dimensions are depending on the frame of the respective switch range.



## » ACCESSORIES (OPTIONAL)

PSU-UP24 – flush mount power supply 24 V (AC Input 80..240 V ~ DC Output 24 V = 0,5 A)

Item No. 645737

RS485 Biasing Adapter

Item No. 811378

USB RS485 Modbus RTU Logger

Item No. 809917

USB Interface RS485 (incl. driver CD)

Item No. 668293