

Mounting Advice

The Accuracy of the room sensors are influenced by the technical specifications as well as the positioning and the installation type.

During Assembly:

- Seal mounting box (if present).
- Installation type, air draught, heat source, radiation heat or direct sunlight can affect the measurement.
- Bulding material specific properties of the installation place (*brick-, concrete-, partition wall, cavity wall, ...*) can affect the measurement.

Assembly not recommendet in...

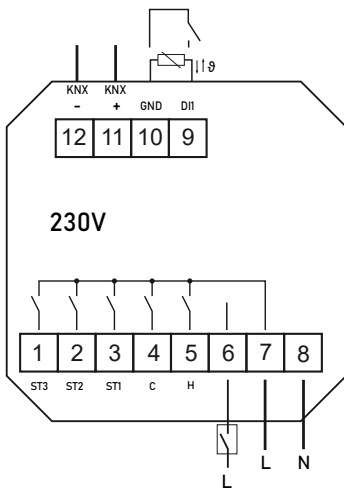
- Air draught (e.g.: close to windows / doors / fans ...)
- Near heating sources,
- Direct sunlight
- Niches / between furniture / ...



Plasterboard boxes shall be covered by wall paper or paint to avoid that the plasterboard box's front rim will be partially visible underneath JOY. Maybe consider using white plasterboard boxes (i.e. Kaiser 9063-77).

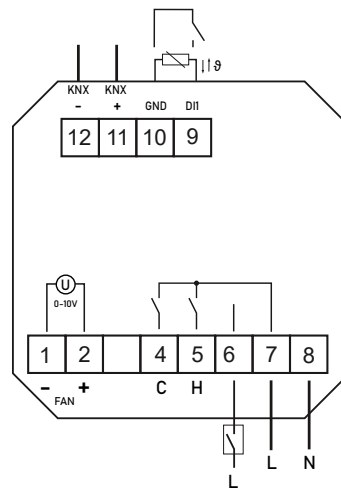
Electrical Connection plan

JOY FC 5DO KNX (85..260 V ~)



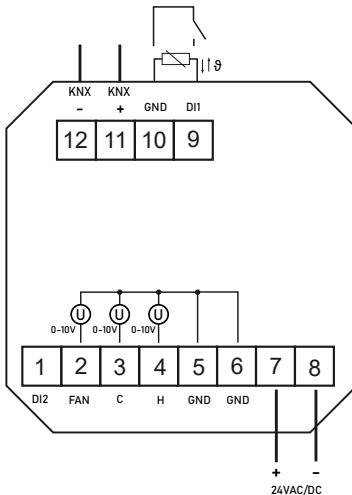
- 1 fan stage 3
- 2 fan stage 2
- 3 fan stage 1
- 4 cooling
- 5 heating
- 6 digital input 2 (230 V)
- 7 L
- 8 N
- 9 digital input 1 (or NTC10K)
- 10 GND DI 1
- 11 (A) KNX
- 12 (B) KNX

JOY FC EC AO2DO KNX (85..260 V ~)



- 1 GND
- 2 0..10 V (EC fan)
- 3
- 4 Cooling
- 5 Heating
- 6 digital input 2 (230V)
- 7 L
- 8 N
- 9 digital input 1 (or NTC10K)
- 10 GND DI 1
- 11 (A) KNX
- 12 (B) KNX

JOY FC EC 3AO KNX (24 V ~/=)



- 1 digital input 2
- 2 0..10 V (EC fan)
- 3 cooling (0..10 V) or 6-way valve
- 4 heating (0..10 V) or 6-way valve
- 5 GND DI 2
- 6 GND
- 7 24 V = (±10%) or 24 V ~ (±10%)
- 8 GND
- 9 digital input1 (or NTC10K)
- 10 GND DI 1
- 11 (A) KNX
- 12 (B) KNX



the product or removable batteries must not be disposed of with household or commercial waste. Dispose of the product separately and appropriately. Alternatively, please contact your supplier or Thermokon Sensortechnik GmbH. Further information can be found at: www.thermokon.de



Declaration of conformity
The declaration of conformity of the products are available on our website: <https://www.thermokon.de/direct/en-gb/categories/joy-fancoil>



Security Advice – Caution



The installation and assembly of electrical equipment should only be performed by authorized personnel. The product should only be used for the intended application. Unauthorised modifications are prohibited! Must not be used in relation with any equipment that in case of a failure may threaten, directly or indirectly, human health or life or result in danger to human beings, animals or assets. Ensure all power is disconnected before installing. Do not connect to live/operating equipment.



CAUTION! Risk of electric shock due to live components within the enclosure, especially devices with mains voltage supply (usually between 90..265 V).

Please comply with:

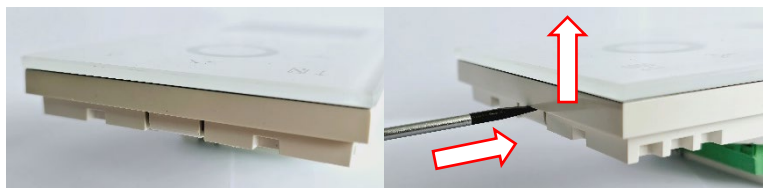
- Local laws, health & safety regulations, technical standards and regulations
- Condition of the device at the time of installation, to ensure safe installation
- This data sheet and installation manual



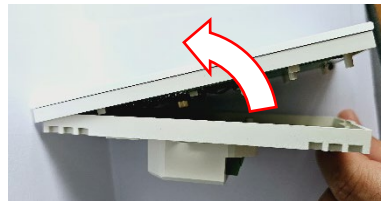
If the operating mode (Change-Over DI) of several devices is to be switched on one contact, the potential-free 230V input must be used (DI2, only possible with the 230V variant). It must be ensured that the same phase is used for jointly switched devices.

Lever the housing open with a flat slotted screwdriver.

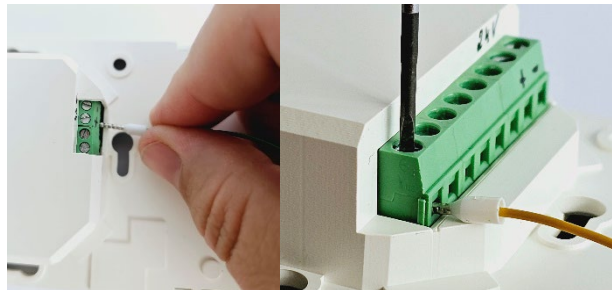
1. Slightly press in the plastic nose on the lower part and pull the upper part off the lower part



2. Tilt the upper part of the housing



3. Wire according to the wiring diagram, close the screw terminals with a slotted screwdriver.



4. Mounting the housing base on the wall

5. Attach and close the upper part of the housing



6. The upper part of the housing snaps into place with a click.

7. Refer to the manual for information on commissioning

Additional Dokument

Datasheet



<https://www.thermokon.de/direct/files/joy-fancoil-knx-datasheet-en.pdf>

Manual



<https://www.thermokon.de/direct/files/joy-knx-manual-en.pdf>