

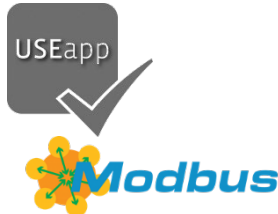
# AKF10+ (LCD) RS485 Modbus

Duct-/Immersion temperature sensor

**thermokon**<sup>®</sup>  
HOME OF SENSOR TECHNOLOGY

## Datasheet

Subject to technical alteration  
Issue date: 26.11.2024 • A141



*The following illustrations show the version with LCD*

### » APPLICATION

Duct/Immersion sensor for measurement of air temperature and other gaseous mediums for HVAC applications (e.g. supply and exhaust ducts) with pocket  $\varnothing=6$  mm. LCD models with RGB background light have a transparent cover. Display configuration and threshold values for colour changes can be parameterized via Thermokon USEapp. Can be used as an immersion temperature sensor combined with a thermowell pocket.

### » TYPES AVAILABLE

#### Duct/Immersion sensor optional with Display temperature – active RS485 Modbus

- AKF10+ (LCD) RS485 Modbus <xx>.06

<xx>: mounting length 50/100/150/200/250/300/450 mm

### » SECURITY ADVICE – CAUTION

The installation and assembly of electrical equipment should only be performed by authorized personnel.



The product should only be used for the intended application. Unauthorised modifications are prohibited! The product must not be used in relation with any equipment that in case of a failure may threaten, directly or indirectly, human health or life or result in danger to human beings, animals or assets. Ensure all power is disconnected before installing. Do not connect to live/operating equipment.

Please comply with

- Local laws, health & safety regulations, technical standards and regulations
- Condition of the device at the time of installation, to ensure safe installation
- This data sheet and installation manual

### » PRODUCT TESTING AND CERTIFICATION



#### Declaration of conformity

The declaration of conformity of the products can be found on our website  
<https://www.thermokon.de/direct/en-gb/categories/akf10plus>

### » NOTES ON DISPOSAL



The crossed-out wheeled bin symbol indicates that the product or removable batteries must not be disposed of with household or commercial waste. Within the EU, you are legally obliged to dispose of the product separately and appropriately in accordance with the national laws of your country. Alternatively, please contact your supplier or Thermokon Sensortechnik GmbH. Further information can be found at: [www.thermokon.com](http://www.thermokon.com)

## » BUILD-UP OF SELF-HEATING BY ELECTRICAL DISSIPATIVE POWER

Sensors with electronic components always have a dissipative power, which affects the temperature measurement of the ambient air. The dissipation in active temperature sensors shows a linear increase with rising operating voltage. This dissipative power has to be considered when measuring temperature. In case of a fixed operating voltage ( $\pm 0,2$  V) this is normally done by adding or reducing a constant offset value.

Thermokon transducers can be operated with variable operating voltages. The transducers are set at the factory with a reference operating voltage of 24 V =.

At this voltage, the expected measuring error of the output signal will be the least. Other operating voltages, can cause a measurement deviation changing power loss of the sensor electronics.

A recalibration can be carried out directly on the unit or via a software variable (app or bus).

**Remark: Occurring draught leads to a better carrying-off of dissipative power at the sensor. Thus temporally limited fluctuations might occur upon temperature measurement.**

## » USE ENCLOSURE WITH UV AND WEATHER RESISTANCE

After some time, outdoor mounted plastics can lose their color and quality. Therefore, all USE housings are made of special white polycarbonate (PC). The light-stable colorants and additives are used to achieve optimum protection of the polymer while maintaining color stability. The titanium dioxide used is specially developed for polycarbonate and offers excellent UV protection through the reflection of the entire light spectrum including the UV component by 340 nm. This effectively counteracts the otherwise occurring photochemical polymer degradation. The colors stay full for a long time without fading. The material is also resistant to cold and frost.

## » TECHNICAL DATA

Measuring values	temperature		
Output voltage	0..10 V or 0..5 V, min load 10k $\Omega$ (live-zero configuration via Thermokon USEapp)		
Network technology	RS485 Modbus, RTU, half-duplex, baud rate 9.600, 19.200, 38.400 or 57600, parity: none (2 stopbits), even or odd (1 stopbit), <b>Fail-safe Biasing required</b>		
Power supply	15..35 V = or 19..29 V ~ SELV <i>With alternating voltage, the correct polarity must be ensured</i>		
Power consumption	max. 2,3 W (24 V =)   max. 4,3 VA (24 V ~)		
Output signal range temp. <i>*Scaling analogue output</i>	-20..+80 °C (default setting), selectable from 8 temperature ranges -50..+50   -20..+80   -15..+35   -10..+120   0..+50   0..+100   0..+160   0..+250 °C, optionally configurable via Thermokon USEapp		
Operating temperature range <i>* Max. permissible operating temperature</i>	<b>sensor pocket</b> -50..+160 °C	<b>electronic   enclosure</b> -20..+70 °C (with LCD) -35..+70 °C (w/o LCD)	<b>mounting base</b> -35..+90 °C
Accuracy temperature	$\pm 0,5$ K (typ. at 21 °C)		
Display <i>(optional)</i>	LCD 29x35 mm with RGB backlight		
Enclosure <i>(type-dependent)</i>	enclosure USE-M, PC, pure white, cover PC, with display transparent, with removable cable entry, UV resistant		
Protection	IP65 according to EN 60529		
Cable entry	M25, for wire max. $\varnothing=7$ mm, seal insert for fourfold cable entry		
Connection electrical	<b>Mainboard</b> removable plug-in terminal, max. 2,5 mm <sup>2</sup>	<b>Plug-in card</b> removable plug-in terminal, max. 1,5 mm <sup>2</sup>	
Pocket	stainless steel V4A, $\varnothing=6$ mm, mounting length: 50   100   150   200   250   300   450 mm		
Ambient condition	max. 85% rH short term condensation		
Mounting	with duct temperature of 90..120 °C mounting flange MF6DS flexible, at 120..260 °C mounting flange MF6 (brass) is recommended		

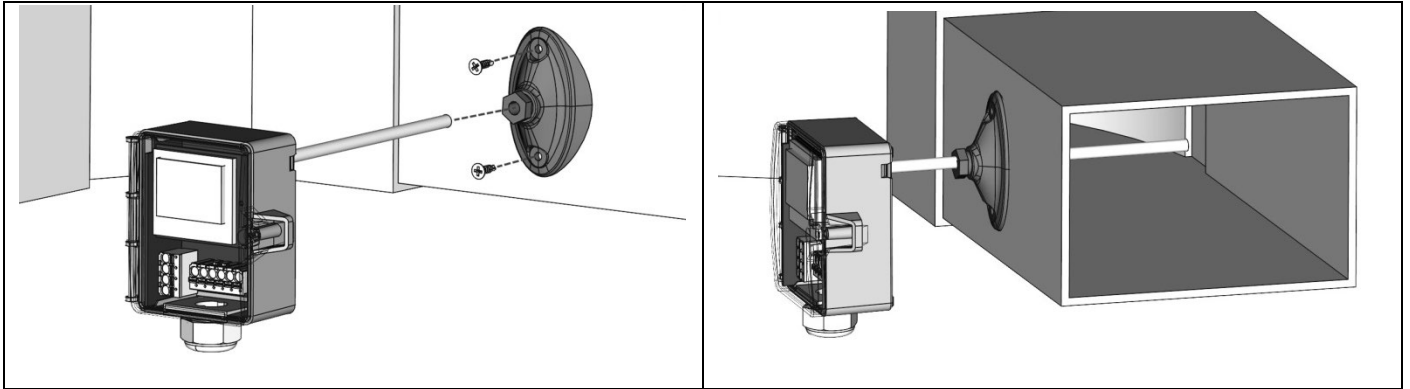


When several BUS devices are supplied by one 24 V AC voltage supply, it is to be ensured that all "positive" operating voltage input terminals (+) of the field devices are connected and all "negative" operating voltage input terminals (-) (=reference potential) are connected (in-phase connection of field devices). In the case of reversed polarity at one field device, a supply voltage short-circuit would be caused by that device.

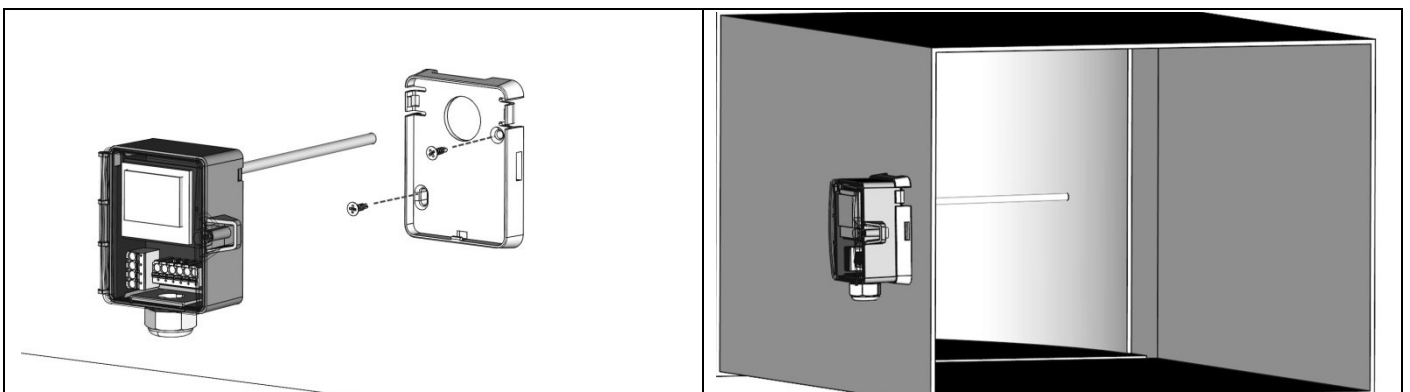
**The consequential short-circuit current flowing through this field may cause damage to it. Therefore, pay attention to correct wiring.**

» **MOUNTING ADVICES**

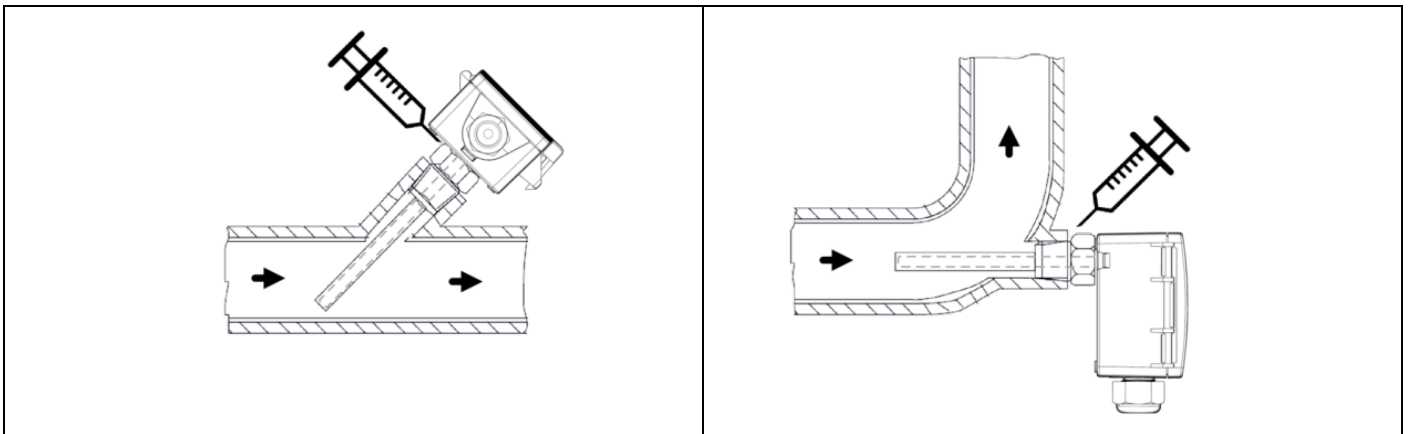
The sensor can be mounted on the ventilation duct by means of the mounting flange MF6DS (optional with mounting base).



**Optional mounting with mounting base (Item No. 631228), please note the installation depth of the sensorpocket.**  
 (permissible ambient temperature -35..+70 °C)



Mounting with immersion pocket or compression fitting for usage in liquid media. Use contact fluid for better heat transfer between sensor and measuring medium.



» CONFIGURATION



The Thermokon bluetooth dongle with micro-USB (Item No.: 668262) is required for communication between USEapp and USE-M / USE L products. Commercial bluetooth dongles are not compatible.



Application-specific reconfiguration of the devices can be carried out using the Thermokon USEapp. The configuration is carried out in the voltage-supplied state.



The configuration-app and the app description can be found in the Google Play Store or in the Apple App Store.

» APPLICATION NOTICE

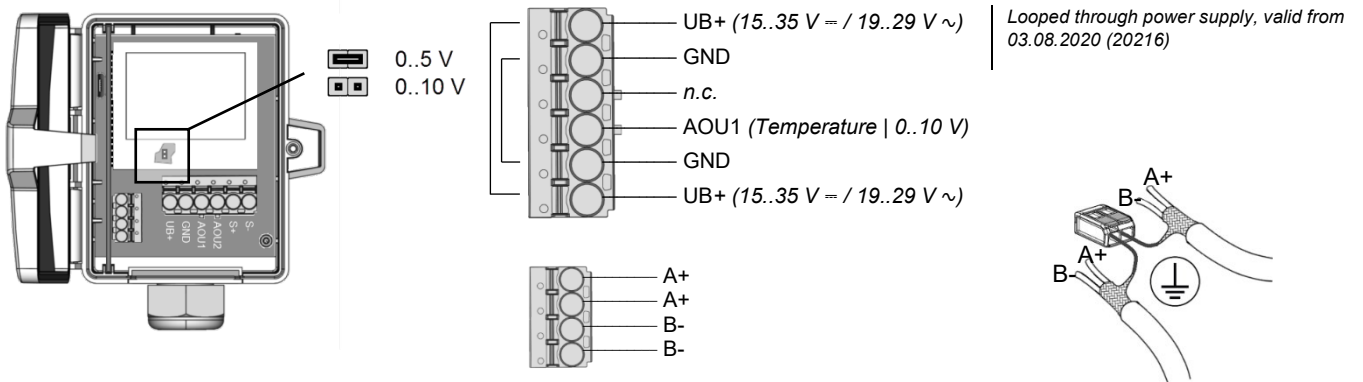


The Bluetooth dongle snaps into the socket easily. When removing, please fix the plug-in card (option PCB) so that it is not unintentionally pulled out.

» CONNECTION PLAN

To change the output voltage range (default 0..10 V to 0..5 V) via jumper, the display must be removed from the board first. With looped-through RS485 cabling, connect both cable shields using the supplied 2-pole terminal as shown.

AKF10+ (LCD) RS485



» DIP SWITCHES, PLUG-IN CARD

The modbus address of the device is set in the range of 1 ... 31 (binary encoded) using a 5-pole DIP switch. With address 0 via DIP, an extended address range (32..247) is available via USEapp.

\* factory default settings

Termination 120 Ω	
ON (1)	active
OFF (1)	Not active*

Baud	
ON (2, 3)	19200
OFF (2, 3)	9600*
ON (2, 3)	57600
OFF (2, 3)	38400

Modbus address				
ON (1, 2, 3, 4, 5)	ON (1, 2, 3, 4, 5)	ON (1, 2, 3, 4, 5)	ON (1, 2, 3, 4, 5)	ON (1, 2, 3, 4, 5)
ON=2 <sup>0</sup> (1)*	ON=2 <sup>1</sup> (2)	ON=2 <sup>2</sup> (4)	ON=2 <sup>3</sup> (8)	ON=2 <sup>4</sup> (16)

Sample address: 26

Parity			
ON (4, 5)	ON (4, 5)	ON (4, 5)	ON (4, 5)
none* (2-stopbits)	even (1-stopbit)	odd (1-stopbit)	none (1-stopbit)



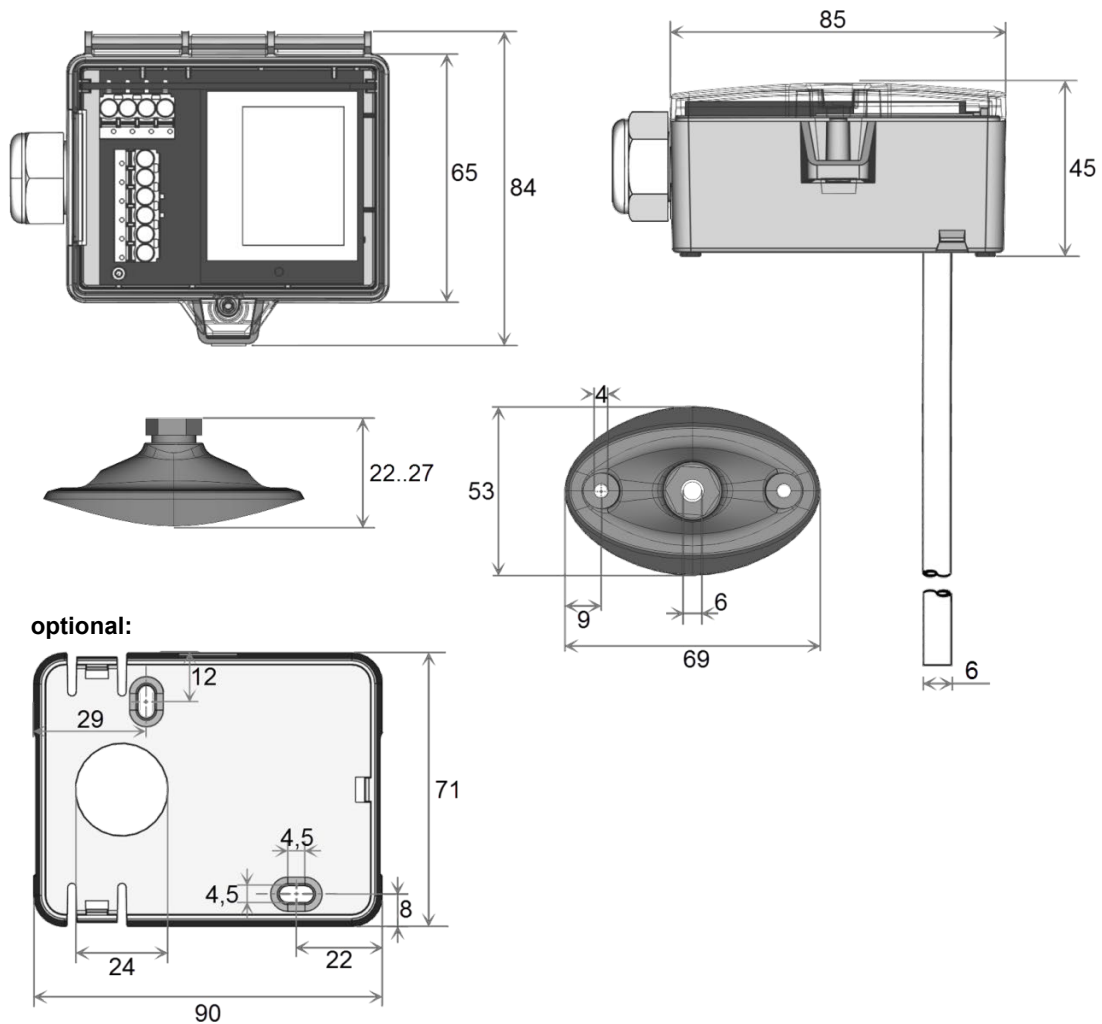
Modbus addresses:

USE-RS485 Modbus Interface

A detailed description of the Modbus addresses can be found under the following link: → [Download](#)

Address	Access	Description	Register 400 = 1 (Unit SI)			Register 400 = 2 (Unit Imperial)		
			Resolution / Unit			Resolution / Unit		
0	R	Temperature	SI	0.1	°C	Imperial	0.1	°F

» **DIMENSIONS (MM)**



» **ACCESSORIES (INCLUDED IN DELIVERY)**

Mounting flange MF6DS  
 Mounting kit universal  
 • Cover screw + screw cover • 2 Rawlplugs • 2 Screws (countersunk head) • 2 Screws (rounded head)

Item No. 669016  
 Item No. 698511

» **ACCESSORIES (OPTIONAL)**

RS485 Biasing Adapter  
 Bluetooth dongle  
 Converter RS485 Modbus-USB incl. driver CD  
 USB RS485 Modbus RTU Logger

Item No. 811378  
 Item No. 668262  
 Item No. 668293  
 Item No. 809917

Mounting base  
 VA-Compression fitting type KL6VA  
 Mounting flange MF6 (brass)

Item No. 631228  
 Item No. 103213  
 Item No. 003407

**Thermowell pockets stainless steel / brass for sensors with pocket Ø=6 mm**

length	50 mm	100 mm	150 mm	200 mm	250 mm	300 mm	450 mm
THMSDS	610995	611008	611015	611022	611763	611039	611046
THVADS	611152	611817	611824	611848	611862	611879	611893

MS-thermowell pocket (brass, suitable up to 16 bar) type THMSDS <xx>.  
 VA-thermowell pocket (stainless steel, suitable up to 40 bar) type THVADS <xx>.