

# » SR04 (x) | SR04 (x) rH

Wireless room sensor / operating unit temperature + humidity (optional)

## Datasheet

Subject to technical alteration  
Issue date: 9/10/2021 • A120



Illustration similar, depending on the type

### » APPLICATION

Energy-harvesting room operating unit for integrated measurement of temperature and relative humidity (rH version) in residential and office spaces. Also available with rotary switch for fan level adjustment, slide switch (for example, "Day/Night") or occupancy button. The device is mounted via adhesive pad or screws and sends its values unidirectional to corresponding receivers or gateways, which process the information directly or – depending on the application – forward it to a central control unit.

### » TYPES AVAILABLE

<b>Radio room sensor temperature</b>					
SR04	EEP A5-02-05	SR04	SR04 P	SR04 S	SR04 T
<b>Radio room sensor temperature + humidity</b>					
SR04 rH	EEP A5-04-01				
<b>Radio room operating unit temperature</b>					
SR04 P	EEP A5-10-03				
SR04 S, FS5	EEP A5-10-07				
SR04 T	EEP A5-10-0C				
SR04 PT	EEP A5-10-05				
SR04 PS, FS5	EEP A5-10-04				
SR04 PMS	EEP A5-10-06				
SR04 PST, FS5	EEP A5-10-01				
<b>Radio room operating unit temperature+ humidity</b>					
SR04 P rH	EEP A5-10-12				
SR04 PT rH	EEP A5-10-10				
SR04 PMS rH	EEP A5-10-11				

P = Potentiometer – Set point adjustment  
 T = Button – Occupancy  
 MS = Slide switch – Day/Night control  
 S = Rotary switch – Fan speed adjustment  
 FSx = Number of switching stages

## » SECURITY ADVICE – CAUTION



The installation and assembly of electrical equipment should only be performed by authorized personnel.

The product should only be used for the intended application. Unauthorised modifications are prohibited! The product must not be used in relation with any equipment that in case of a failure may threaten, directly or indirectly, human health or life or result in danger to human beings, animals or assets. Ensure all power is disconnected before installing. Do not connect to live/operating equipment.

Please comply with

- Local laws, health & safety regulations, technical standards and regulations
- Condition of the device at the time of installation, to ensure safe installation
- This data sheet and installation manual

## » NOTES ON DISPOSAL



As a component of a large-scale fixed installation, Thermokon products are intended to be used permanently as part of a building or a structure at a pre-defined and dedicated location, hence the Waste Electrical and Electronic Act (WEEE) is not applicable. However, most of the products may contain valuable materials that should be recycled and not disposed of as domestic waste. Please note the relevant regulations for local disposal.

## » GUIDELINES FOR DEVICES WITH SOLAR ENERGY STORAGE

Due to the energy-optimized EnOcean radio technology used in "EasySens®" wireless sensors, the devices can work without batteries and self-charge themselves using electric energy generated by integrated solar cells. This makes the devices almost maintenance free and environmentally sound due to not having to replace batteries.

For optimum use, the device should be mounted in a location with sufficient ambient brightness. Minimum illumination of 200 lx (artificial light or ambient) is required for at least 3 to 4 hours each day. (The health and safety regulations at work require a minimum illumination of 500 lx for office workplaces).

The solar cell should be mounted facing towards the window direction if possible. If the device has a temperature sensor, then even periodic direct sun radiation should be avoided due to incorrect false temperature readings.

The mounting position should be selected so that the device will not be obstructed in the future: for example by placement areas, additional furniture or roll-fronted cupboards.

The sensor is supplied in an operational state. If the sensor has been stored in darkness for longer periods, the internal solar energy storage will most likely need to be recharged. This would normally happen automatically during commissioning or during initial start up in ambient light. If the initial charge is not sufficient, the sensor will reach its full operating state up to 3 to 4 days, if the requirements for minimum illumination per day are met. The sensor will then transmit continuously in darkness as specified f (2/3 days on factory default telegram timing). Depending on the application it is also possible for the devices to operate in darker rooms (with brightness <100 lx) by using the battery back-up option. Batteries to be used are listed in accessories.

The operating time when using batteries will depend on the transmission frequency as well as the component aging and the self-discharge of the battery. Standard operating time will be several years on factory default telegram timing. Changing of the device from solar to battery operation is done automatically by simply adding a battery to the device.

## » APPLICATION NOTICE FOR HUMIDITY SENSORS

**Refrain from touching the sensitive humidity sensor/element. Touching the sensitive surface will void warranty.**

For standard environmental conditions re-calibration is recommended once a year to maintain the specified accuracy.

When exposed to high ambient temperature and/or high levels of humidity or presence of aggressive gases (i.e. chlorine, ozone, ammonia) the sensor element may be affected and re-calibration may be required sooner than specified. Re-calibration and deterioration of the humidity sensor due to environmental conditions are not subject of the general warranty.

## » PRODUCT TESTING AND CERTIFICATION



### Declaration of conformity

The declaration of conformity of the products can be found on our website <https://www.thermokon.de/>.

## » REMARKS TO ROOM SENSORS

### Location and Accuracy of Room Sensors

The room sensor should be mounted in a suitable location for measuring accurate room temperature. The accuracy of the temperature measurement also depends directly on the temperature dynamics of the wall. It is important, that the back plate is completely flush to the wall so that there is sufficient circulation of air through the vents in the cover, otherwise, deviations in temperature measurement will occur due to uncontrolled air circulation. The temperature sensor should not be covered by furniture or other objects. Mounting next to doors (due to draught) or windows (due to colder outside wall) should be avoided.

### Surface and Flush Mounting

The measuring result is influenced by the thermal characteristics of the wall. A solid concrete wall responds to thermal fluctuations within a room in a much slower than a light-weight structure wall. Room temperature sensors installed in flush-mounted boxes have a longer response time to thermal variations. In extreme cases they detect the radiant heat of the wall even if the air temperature in the room is lower for example. The quicker the dynamics of the wall (temperature acceptance of the wall) or the longer the selected inquiry interval of the temperature sensor is the smaller the deviations limited in time are.

## » TECHNICAL DATA

Measuring values <i>(optional)</i>	temperature, relative humidity (SR04 rH   SR04 x rH)
Radio technology	EnOcean (IEC 14543-3-10), transmission power <10 mW
Frequency	902 MHz, optional 315 MHz
Power supply	solar cell, internal super cap, maintenance free, optional: backup battery LS14250
Measuring range temp	+32..+104 °F
Measuring range humidity <i>(optional)</i>	0..100% rH non-condensing
Accuracy temperature	±0,4 K (typ. at 70 °F)
Accuracy humidity <i>(optional)</i>	±5% between 30..70% rH (typ. at 70 °F)
Measuring interval	WakeUp time = 100 sec. (default)
Transmission interval <i>(type-dependent)</i>	immediately by keystroke or slide switch, by actuating the rotary switch after 3 seconds, every 100 sec. at change >0,3 K or >5° angle of rotation (Set point), or >1,6% rH, otherwise every 1000 sec.
Set point (P) <i>(optional)</i>	potentiometer, for set point adjustment
Slide switch (MS) <i>(optional)</i>	0/I, Day/Night
Rotary switch (S) <i>(optional)</i>	for fan stage adjustment (max. 5 stages), 5-stages (auto,0,I,II,III), 2-stages (0,I), 3-stages (0,I,II), 4-stages (0,I,II,III)
Button (T) <i>(optional)</i>	for occupancy signal
Enclosure	PC, pure white
Protection	IP30 according to EN 60529
Ambient condition	+32..+104 °F, max. 85% rH non-condensing
Mounting	to be mounted flat onto the surface using adhesive foil or screws
Delivery content	adhesive foil
Notes	integrated battery backup possibility for usage in dimly lit rooms

## » INFORMATION ABOUT EASYSSENS® (RADIO) / AIRCONFIG GENERAL USAGE



### EasySens® - airConfig

Basic information about EasySens® radio and about general usage of our airConfig software, please download from our website.

## » OVERVIEW OF THE RADIO TELEGRAMS



### EEP

The structure of the data contained in the telegram can be found in the EEP (EnOcean equipment profile) list provided by the EnOcean Alliance.

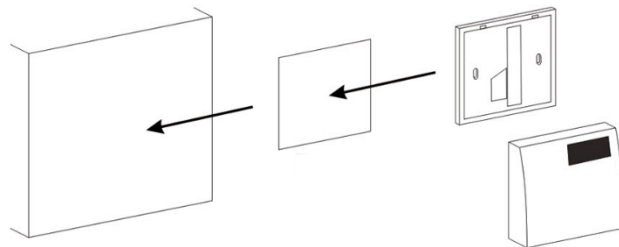
## » MOUNTING ADVICE

1.



Open the case.

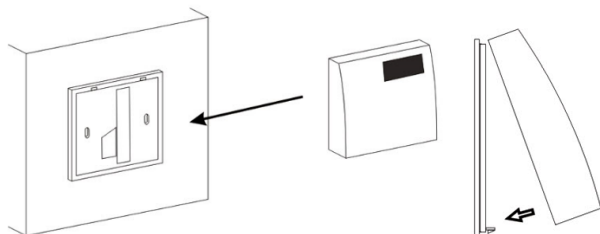
2.



Glue the adhesive tape and the base plate to a smooth wall surface.

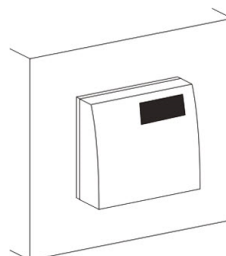
*(alternatively fasten with rawplug and screws)*

3.



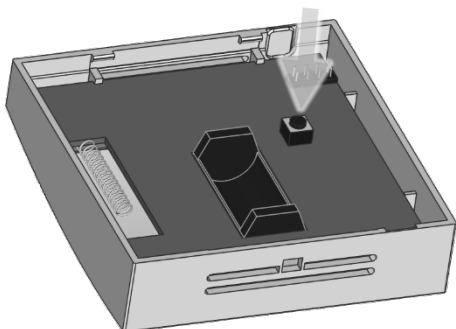
Hook the sensor on the base plate and clip it on.

4.



Sensor is mounted and can be used.

## » COMMISSIONING – SHIPPING MODE (VALID FROM PRODUCTION DATE 19140)



After delivery the room operating unit might be in default shipping mode, in this case press the learn button (<1 second) at the rear of the device [Signal telegramm will be send. SIG -> 0x0F // shipping mode deactivated].

For further shipment, it is possible to set the room operating unit back in default shipping mode. In this case the learn button must be pressed for >3sec [Signal telegramm will be send, SIG -> 0x0E // shipping mode activated].

In order to assure a correct evaluation of the measured values by the receiver, it is necessary to have the devices learned in by the receiver. This is done automatically by means of a "learn button" at the sensor or manually by input of the 32bit sensor ID and a special "learning procedure" between sender and receiver. The respective details are described in the corresponding software documentation of the receiver.

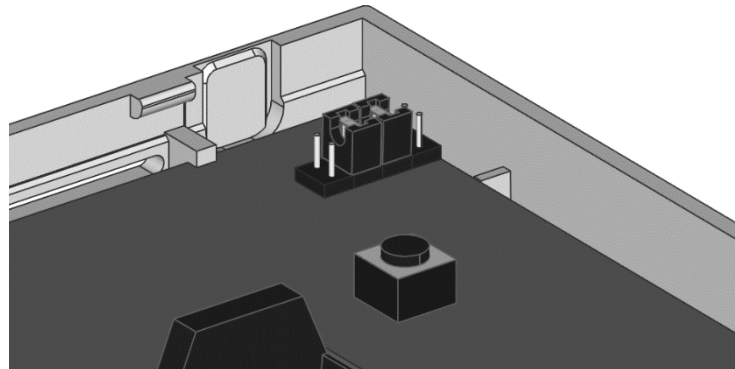
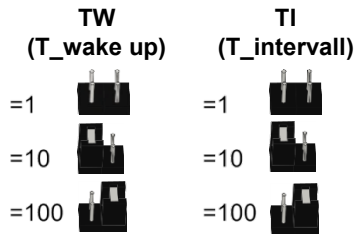
The sensor is supplied in an operational status. Probably, the internal solar energy storage must be recharged after a longer storage of the radio sensors in darkness. Basically, the recharging process is done automatically during the first operating hours in daylight. For this purpose, please refer to the remarks "[Guidelines for Devices with Solar Energy Storage](#)".

## » CRC8 CHECKSUM (VALID FROM PRODUCTION DATE 19140)

By default, the radio transmitter uses the checksum CRC8 in its telegrams (according to factory setting from 05/2019). This has the advantage that faulty telegrams can be better verified and sorted out on critical radio ranges. Radio receivers older than the TCM3xx only support a simple checksum. In this case, the radio transmitter must be set to simple checksum. To do this, the teach-in button must be pressed 5x consecutively following. The simple checksum is compatible with all receivers. If the transmitter is to be reset to CRC8 checksum, then the learn button must be pressed 3x consecutively.

» **SETTING OF TRANSMISSION TIME**

The required wake up and transmitting interval is determined with jumpers. Consider also the labeling on the PCB.

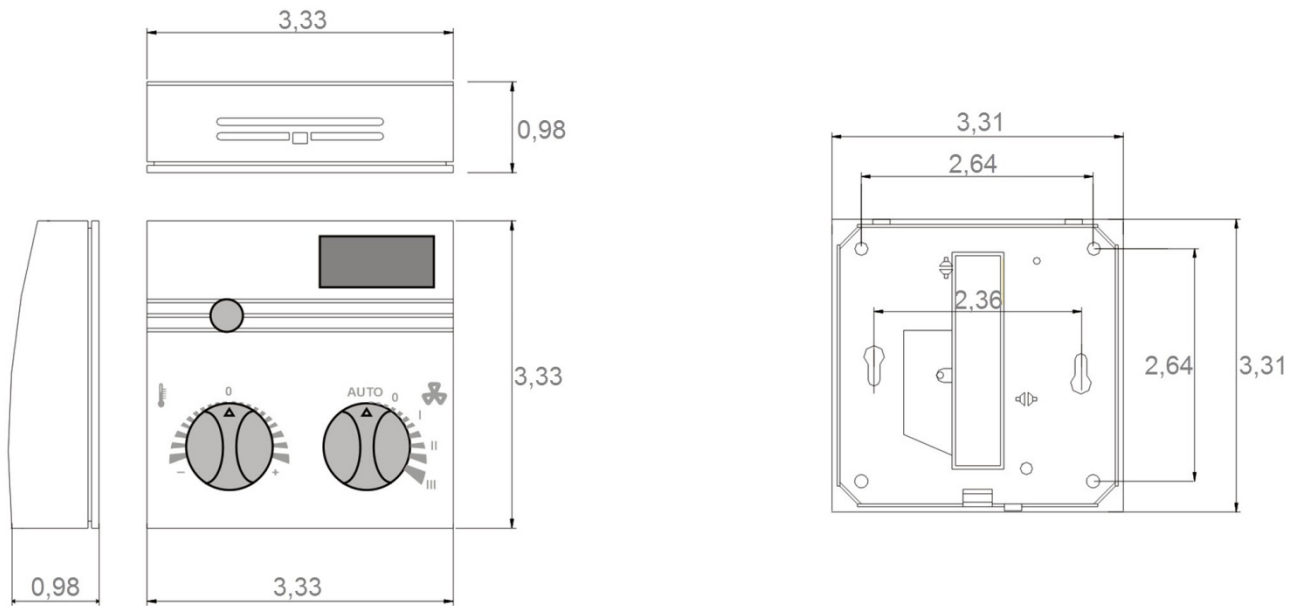


Factory default:  
 T\_wake up: 100 sec. (Measuring interval)  
 T\_intervall: 10 x (Transmission interval)

$T_{send} = 100 \text{ sec. wake up} * 10 \text{ interval} = 1.000 \text{ sec.} = \text{approx. } 16 \text{ min.}$

Remark: The transmission frequency has a direct influence on the operating energy available in the energy storage and on the discharge time of the energy storage during operation.

» **DIMENSIONS (IN.)**



» **ACCESSORIES (INCLUDED IN DELIVERY)**

Adhesive foil for fixing the base plate

Item No. 234726

» **ACCESSORIES (OPTIONAL)**

Battery LS14250  
 Rawplugs and screws (2 pcs. each)

Item No. 315098  
 Item No. 102209