

RPF40+ (LCD) (Relay)

Room pendulum temperature sensor

thermokon[®]
HOME OF SENSOR TECHNOLOGY

Datasheet

Subject to technical alteration
Issue date: 12.01.2023 • A123



» APPLICATION

Temperature measurement for large rooms/spaces (e.g. open-plan offices, galleries, production plants). Available with black bulb for radiator or similar applications. Designed for control and monitoring applications.

» TYPES AVAILABLE

Room pendulum sensor with Display temperature – active 0..10 V

- RPF40+ LCD TRV MultiRange

Room pendulum sensor with display temperature – active 4..20 mA

- RPF40+ LCD TRA MultiRange

Room pendulum sensor optional with display temperature – active 0..10 V + relay

- RPF40+ (LCD) TRV MultiRange relay

» SECURITY ADVICE – CAUTION



The installation and assembly of electrical equipment should only be performed by authorized personnel.

The product should only be used for the intended application. Unauthorised modifications are prohibited! The product must not be used in relation with any equipment that in case of a failure may threaten, directly or indirectly, human health or life or result in danger to human beings, animals or assets. Ensure all power is disconnected before installing. Do not connect to live/operating equipment.

Please comply with

- Local laws, health & safety regulations, technical standards and regulations
- Condition of the device at the time of installation, to ensure safe installation
- This data sheet and installation manual

» PRODUCT TESTING AND CERTIFICATION



Declaration of conformity

The declaration of conformity of the products can be found on our website <https://www.thermokon.de/>.

» NOTES ON DISPOSAL



As a component of a large-scale fixed installation, Thermokon products are intended to be used permanently as part of a building or a structure at a pre-defined and dedicated location, hence the Waste Electrical and Electronic Act (WEEE) is not applicable. However, most of the products may contain valuable materials that should be recycled and not disposed of as domestic waste. Please note the relevant regulations for local disposal.

» BUILD-UP OF SELF-HEATING BY ELECTRICAL DISSIPATIVE POWER

Sensors with electronic components always have a dissipative power, which affects the temperature measurement of the ambient air. The dissipation in active temperature sensors shows a linear increase with rising operating voltage. This dissipative power has to be considered when measuring temperature. In case of a fixed operating voltage ($\pm 0,2$ V) this is normally done by adding or reducing a constant offset value.

Thermokon transducers can be operated with variable operating voltages. The transducers are set at the factory with a reference operating voltage of 24 V =.

At this voltage, the expected measuring error of the output signal will be the least. Other operating voltages, can cause a measurement deviation changing power loss of the sensor electronics.

A recalibration can be carried out directly on the unit or via a software variable (app or bus).

Remark: Occurring draught leads to a better carrying-off of dissipative power at the sensor. Thus temporally limited fluctuations might occur upon temperature measurement.

» USE ENCLOSURE WITH UV AND WEATHER RESISTANCE

After some time, outdoor mounted plastics can lose their color and quality. Therefore, all USE housings are made of special white polycarbonate (PC). The light-stable colorants and additives are used to achieve optimum protection of the polymer while maintaining color stability. The titanium dioxide used is specially developed for polycarbonate and offers excellent UV protection through the reflection of the entire light spectrum including the UV component by 340 nm. This effectively counteracts the otherwise occurring photochemical polymer degradation. The colors stay full for a long time without fading. The material is also resistant to cold and frost.

» TECHNICAL DATA

Measuring values	temperature	
Output voltage	0..10 V or 0..5 V, min. load 10k Ω (live-zero configuration via Thermokon USEapp)	
Output Amp (type dependent)	TRA 4..20 mA, max. load 500 Ω	
Output switch contact (type dependent)	Relay 2 floating contacts for 24 V ~ or 24 V = / 3 A	
Power supply (type dependent)	TRV Relay 15..35 V = or 19..29 V ~ SELV	TRA 15..35 V = SELV
Power consumption	max. 2,5 W (24 V =) 4,3 VA (24 V ~)	
Output signal range temp. <i>*Scaling analogue output</i>	-20..+80 °C (default setting), selectable from 8 temperature ranges -50..+50 -20..+80 -15..+35 -10..+120 0..+50 0..+100 0..+160 0..+250 °C, optionally configurable via Thermokon USEapp	
Operating temperature range <i>* Max. permissible operating temperature</i>	Sensor head -35..+100 °C	Enclosure -35..+70 °C
Accuracy temperature	$\pm 0,5$ K (typ. at 21 °C)	
Display (optional)	LCD 29x35 mm with RGB backlight	
Enclosure	enclosure USE-M, PC, pure white, cover PC, with LCD transparent, with removable cable entry, UV resistant	
Protection	IP65 according to EN 60529	
Cable entry (type dependent)	TRV TRA Flextherm M20, for wire $\varnothing=4,5..9$ mm, removable	Relay M25 with fourfold cable entry for wire with max. $\varnothing=7$ mm, removable
Connection electrical	removable plug-in terminal, max. 2,5 mm ²	
Sensor head	PVC, black, $\varnothing=40$ mm, sensor wire PVC soft, white, 1 m (default), 2 m, 4 m, 6 m, for other lengths please request	
Ambient condition	max. 85% rH short term condensation	

» CONFIGURATION



The Thermokon bluetooth dongle with micro-USB (Item No.: 668262) is required for communication between USEapp and USE-M / USE L products. Commercial bluetooth dongles are not compatible.



Application-specific reconfiguration of the devices can be carried out using the Thermokon USEapp. The configuration is carried out in the voltage-supplied state.



The configuration-app and the app description can be found in the Google Play Store or in the Apple App Store.

» APPLICATION NOTICE

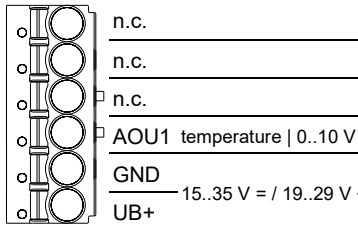
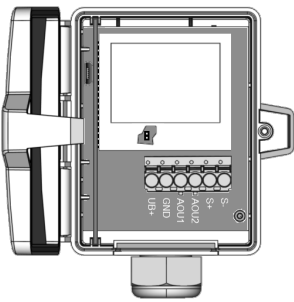


The Bluetooth dongle snaps into the socket easily. When removing, please fix the plug-in card (option PCB) so that it is not unintentionally pulled out.

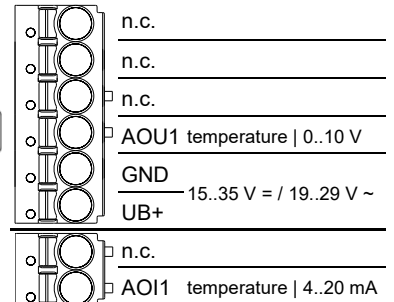
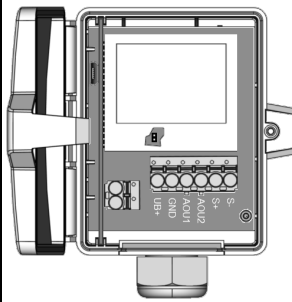
» CONNECTION PLAN

Zum Umstellen der Ausgangsspannung (0..10 V oder 0..5 V) via Jumper muss zunächst das Display von der Platine abgezogen werden.

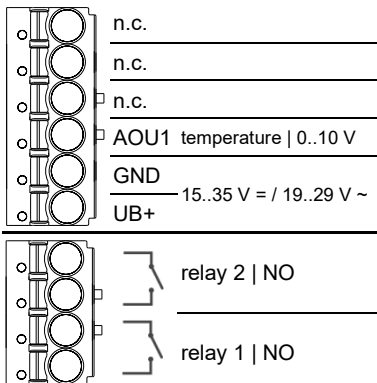
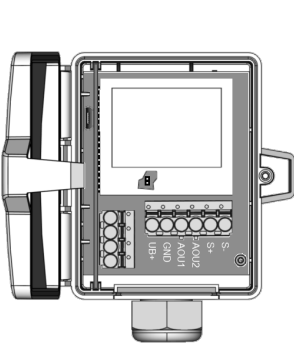
RPF40+ LCD TRV MultiRange



RPF40+ LCD TRA MultiRange

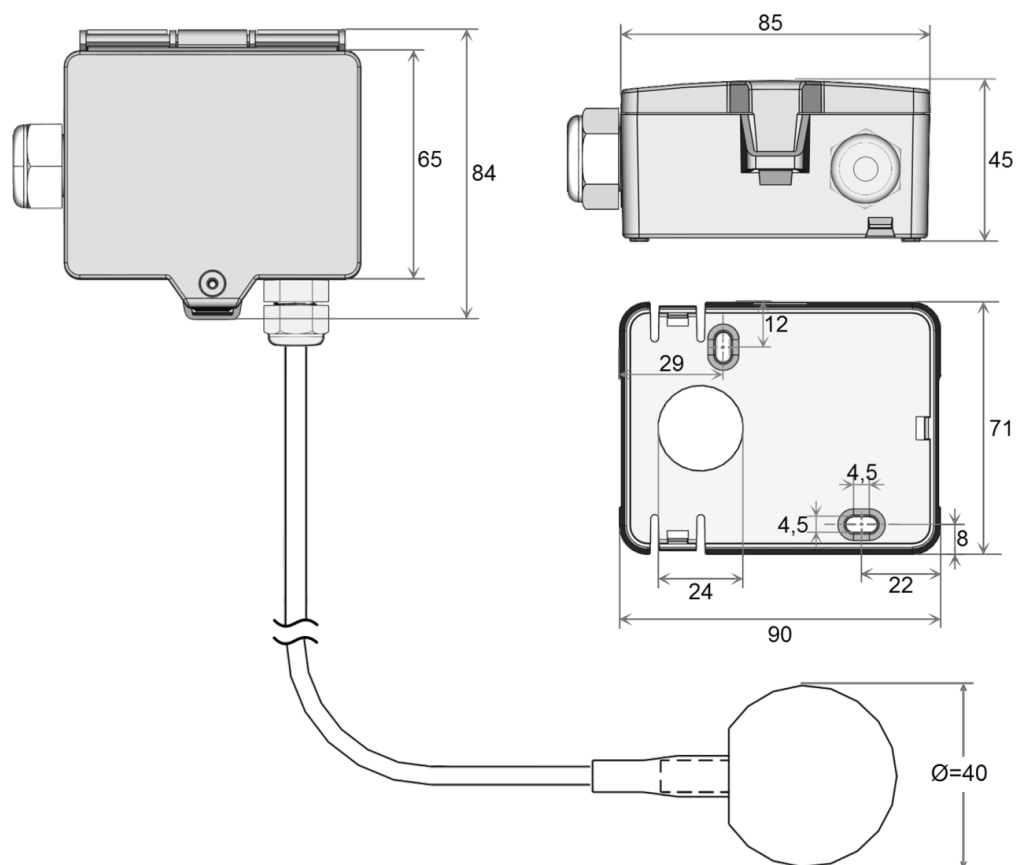


RPF40+ LCD TRV MultiRange Relais



- 0..5 V
- 0..10 V

» DIMENSIONS (MM)



» ACCESSORIES (INCLUDED IN DELIVERY)

Mounting base

Item No. 631228

Mounting kit universal

Item No. 698511

• Cover screw + screw cover • 2 Rawlplugs • 2 Screws (countersunk head) • 2 Screws (rounded head)

» ACCESSORIES (OPTIONAL)

Bluetooth dongle

Item No. 668262